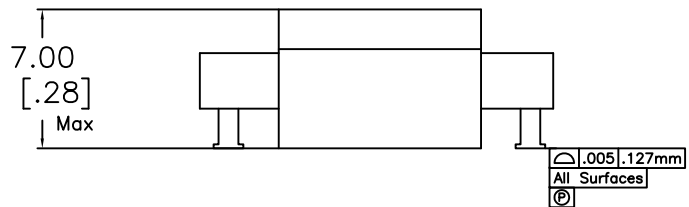
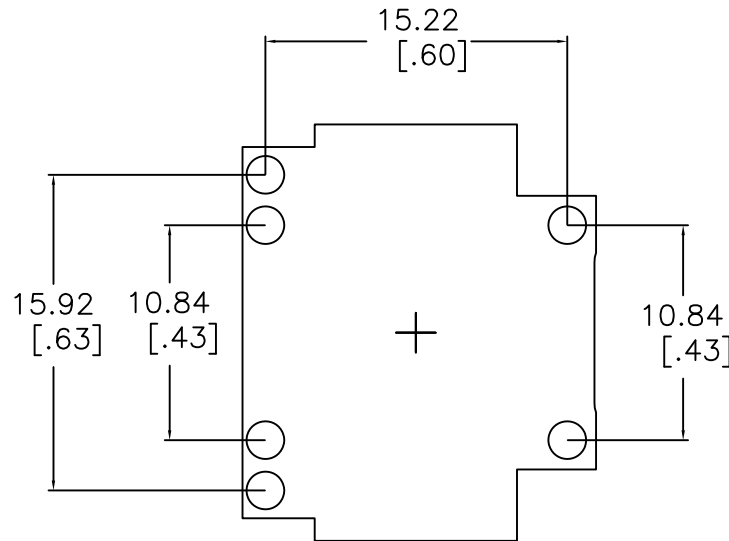
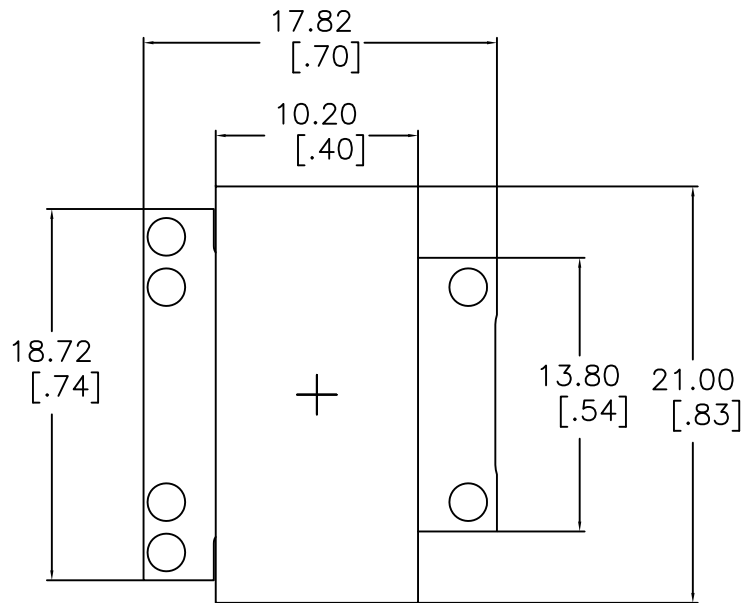
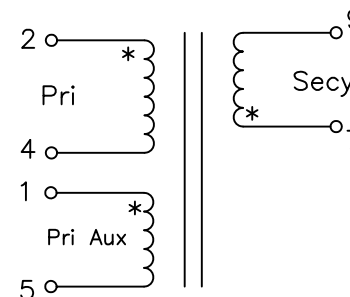


SUGGESTED PAD LAYOUT



Schematic



NOTES:

1. TURNS RATIO [7-9] : [2-4] = 0.33 +/-2% || [1-5] : [2-4] = 1.167
2. DCR [2-4]=14.5 mohm Nom, [7-9]= 1.3 mohm Nom.[1-5]=30 mohm Max.
3. Inductance [2-4]= 6.0 uH Nom, 100KHz, 1.0 VRMS @ 25C
4. Leakage Inductance [2-4] Short [7-9] = 50nH Nom @100 KHz
5. Dielectric Strength [2,4-1,5] to [7-9] 1500 VDC, [2-4] to CORE 1500 VDC, [7-9] to CORE 500 VDC
6. Weight 6.8 grams Max | RoHS & REACH Compliant

No.		DESCRIPTION		REVISIONS	DATE	APPR
CHAMPS TECHNOLOGIES						
DRAWN		SIGN	DATE	Champs No. 20F1-0602-07-6R0		
CHKD		HE	10.07.13	Customer	ISSUE	REV
APPR				Part #:	A	00
				SIZE	SCALE 3:1	