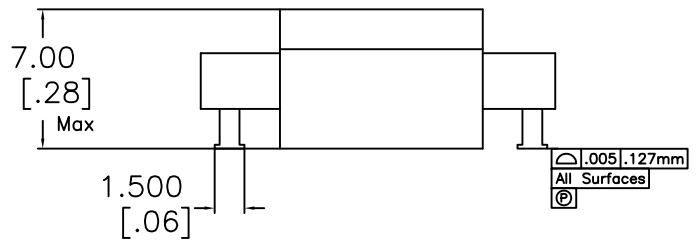
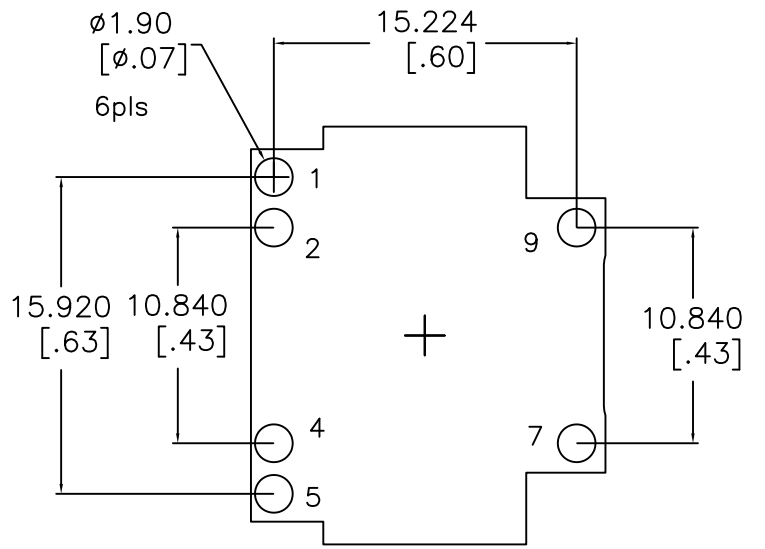
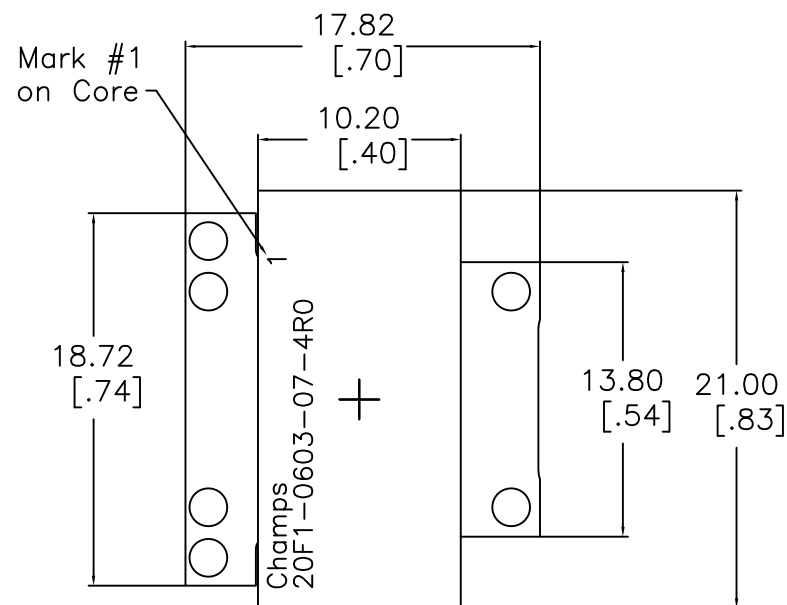
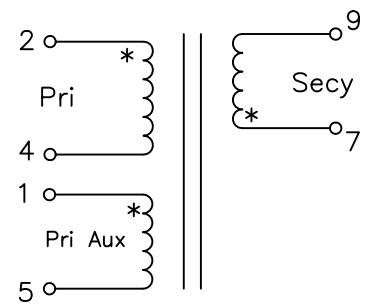


1 2 3 4 5 6 7 8

SUGGESTED PAD LAYOUT



Schematic



- NOTES:
1. TURNS RATIO [7-9] : [2-4] = 0.50 ±2% || [1-5] : [2-4] = 1.167
 2. DCR [2-4] = 14.5 mohm Nom, [7-9] = 3.3 mohm Nom.[1-5] = 30 mohm Max.
 3. Inductance [2-4]= 4.0 uH Nom, ±10% @100KHz, 1.0 VRMS @ 25C
 4. Leakage Inductance [2-4] Short [7-9] = 50nH Nom @100 KHz
 5. Dielectric Strength [2,4-1,5] to [7-9] 1500 VDC, [2-4] to CORE 1500 VDC, [7-9] to CORE 500 VDC
 6. Weight 6.8 grams Max | RoHS & REACH Compliant
 7. Temp Rating: -55C to +130C [Inclusive of Temp Rise]

No.	DESCRIPTION	REVISIONS	DATE	APPR
THIRD ANGLE PROJECTION				
CHAMPS TECHNOLOGIES				
TOLERANCES/UNITS in MM UNLESS OTHERWISE INDICATED		SIGN	DATE	Champs-Tech PN 20F1-0603-07-4R0
.XXX ± 0.254	DRAWN	HE	10.07.13	Customer
.XX ± 0.508	CHKD			Part #:
.X ± 0.78	APPR			ISSUE A
ANGLE ±				REV 00
		SIZE	SCALE 3:1	