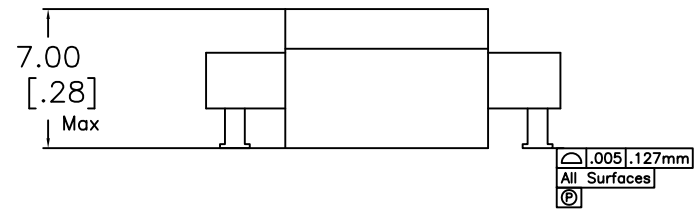
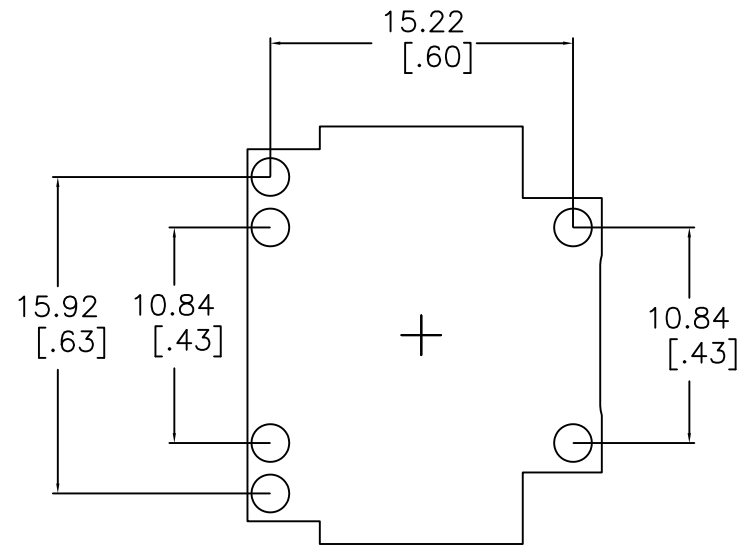
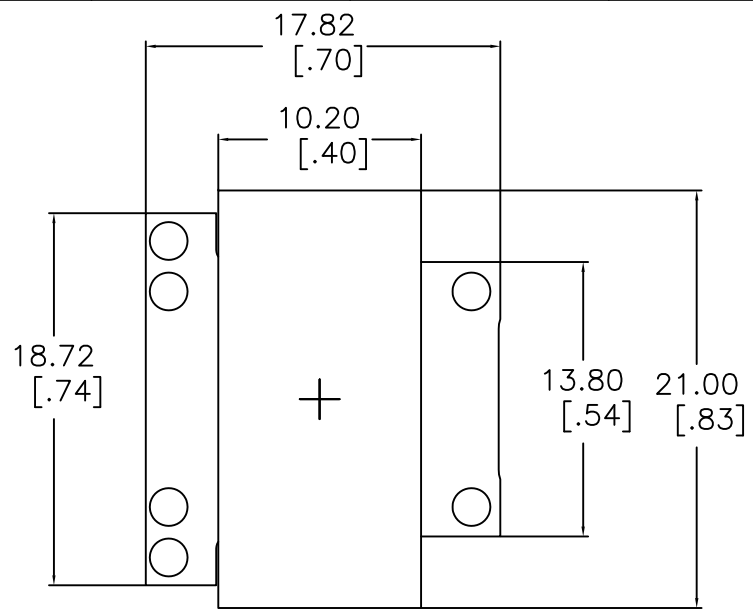
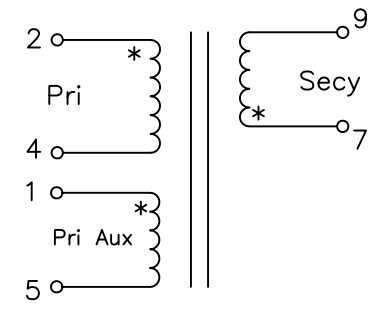


SUGGESTED PAD LAYOUT



Schematic



NOTES:

1. TURNS RATIO [2-4] : [7-9] = 0.857 +/-2% || [1-5] : [7-9] = 1.0
2. DCR [2-4]=14.5 mohm Nom, [7-9]= 19 mohm Nom.[1-5]=30 mohm Max.
3. Inductance [2-4]= 4.5 uH Nom, 100KHZ, 1.0 VRMS @ 25C
4. Leakage Inductance [2-4] Short [7-9] = 50nH Nom @100 KHZ
5. Dielectric Strength [2,4-1,5] to [7-9] 1500 VDC, [2-4] to CORE 1500 VDC, [7-9] to CORE 500 VDC
6. Weight 6.8 grams Max | RoHS & REACH Compliant

No.		DESCRIPTION		REVISIONS	DATE	APPR
THIRD ANGLE PROJECTION						
CHAMPS TECHNOLOGIES						
TOLERANCES +/- 1.0 UNLESS OTHERWISE INDICATED		SIGN	DATE	Champs No. 20F1-0607-07-4R5		
.XXX ±	DRAWN	HE	10.07.13	Customer	ISSUE	REV
.XX ±	CHKD			Part #:	A	00
.X ANGLE ±	APPR			SIZE	SCALE 3:1	