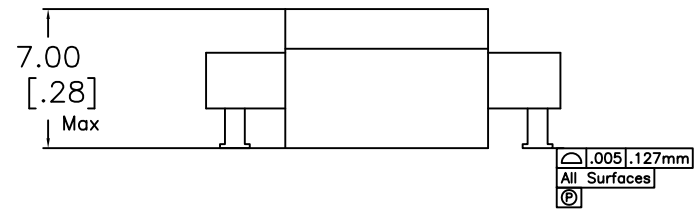
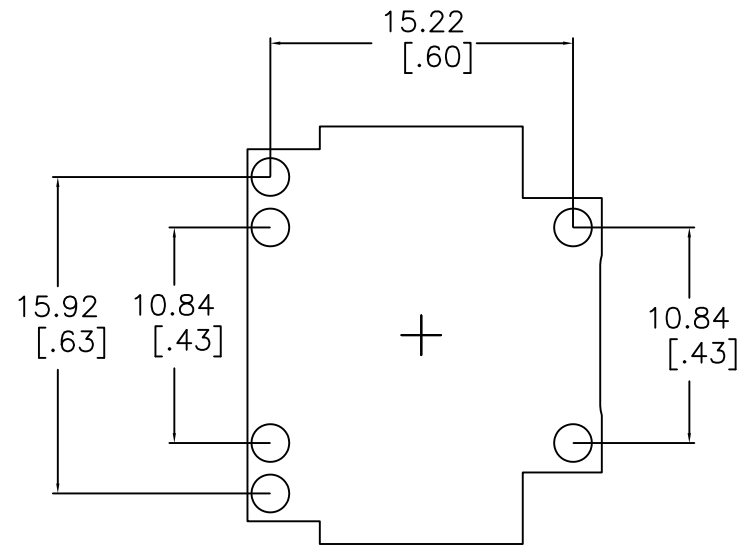
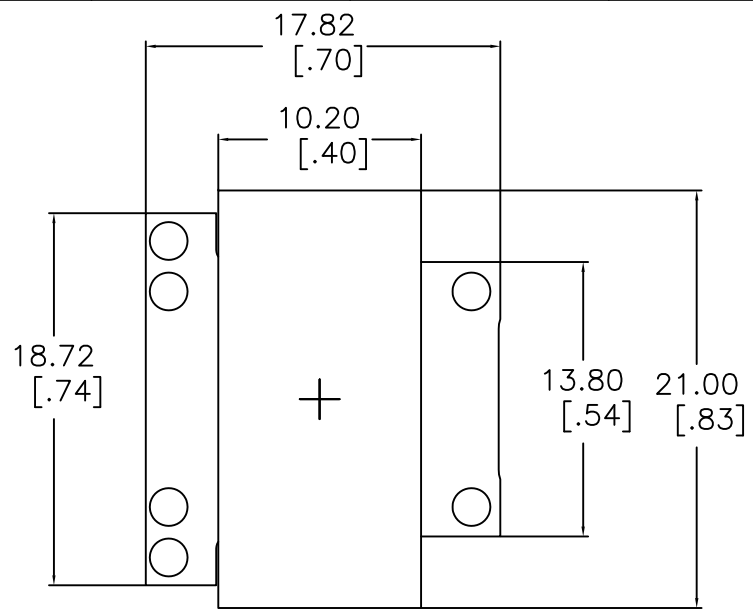
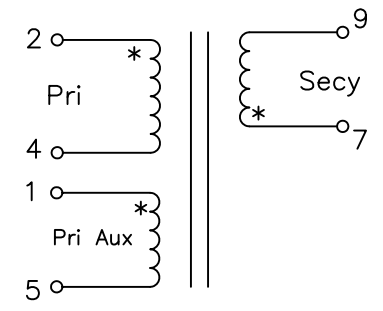


SUGGESTED PAD LAYOUT



Schematic



NOTES:

1. TURNS RATIO [7-9] : [2-4] = 0.385 +/- 2% || [1-5] : [2-4] = 0.461
2. DCR [2-4]=75 mohm Nom, [7-9]= 9.6 mohm Nom.[1-5]=30 mohm Max.
3. Inductance [2-4]=25.0 uH Nom, 100KHz, 1.0 VRMS @ 25C
4. Leakage Inductance [2-4] Short [7-9] = 200nH Nom @100 KHz
5. Dielectric Strength [2,4-1,5] to [7-9] 1500 VDC, [2-4] to CORE 1500 VDC, [7-9] to CORE 500 VDC
6. Weight 6.8 grams Max | RoHS & REACH Compliant

No.		DESCRIPTION		REVISIONS	DATE	APPR
CHAMPS TECHNOLOGIES						
DRAWN		SIGN	DATE	Champs No. 20F1-1305-06-25R		
CHKD		HE	10.07.13	Customer	ISSUE	REV
APPR				Part #:	A	00
TOLERANCES +/- 1.0 UNLESS OTHERWISE INDICATED		SIZE		SCALE 3:1		
.XXX ±	.XX ±	.X	ANGLE ±			