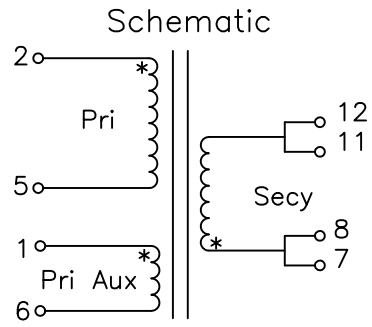
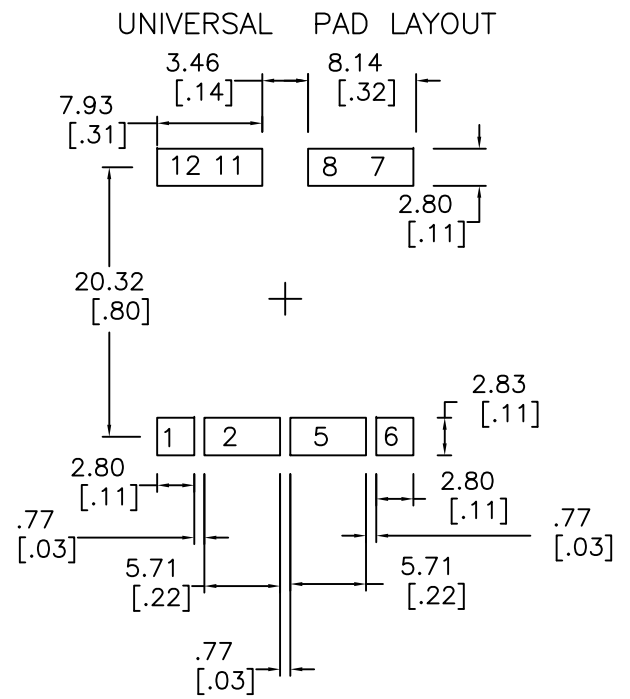


- NOTES:
1. TURNS RATIO [2-5] : [7,8 - 11,12] = 0.50 +/--2% || [2-5] : [1-6] =0.50 +/--2%
 2. DCR [2-5]= 2.1 mohm Nom., [7,8 - 11,12]= 8.6 mohm Nom., [1-6]= 300 mohm Max
 3. Inductance [2-5]= 27 uH +/--25% 10KHz, 0.1 VRMS @ 25C
 4. Leakage Inductance [2-5] Short [7,8-11,12] = 0.07uH Nom, 0.10 uH Max @100 KHz
 5. Dielectric Strength [2-5] to [7-12] 1750 VDC | [1-6] to [2-5] 500Vrms 60 Hz
[1-6],[2-5] to CORE 1750 VDC, [7-12] to CORE 500 VDC
 6. Weight 16.8 grams Nom | RoHS Level 6/6 Compliant | Pin Composition Sn/Ag 96/4
 7. Operating Temperature -55C to +130C [Inclusive of Temp Rise]

ORDERING INFORMATION:

1. Order Per Part # G45R2-0306-06. Parts ship in trays unless otherwise specified.
2. For Tape & Reel packaging append "R" to PN, e.g. G45R2-0306-06-R.
Tape & Reel packaging is in accordance with Champs Dwg T40-4600014.
3. Std 180 parts per reel | 40 parts per tray.



No.	DESCRIPTION	REVISIONS	DATE	APPR
CHAMPS TECHNOLOGIES				
DRAWN		SIGN	DATE	Champs No. G45R2 0306-06
CHKD				Customer ISSUE A REV 00
APPR		HE	4/29/08	SIZE SCALE 2:1