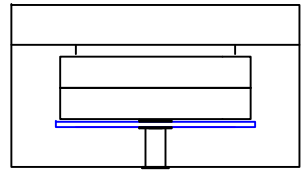
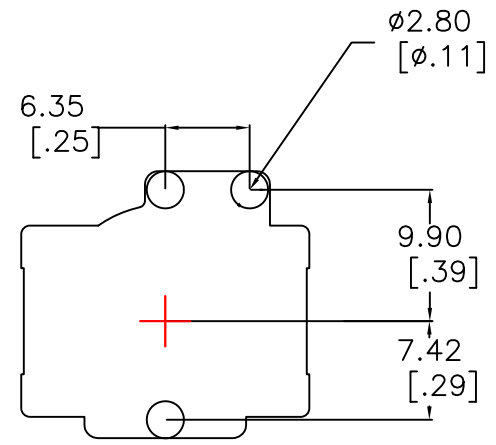
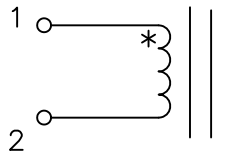


SUGGESTED
PAD
LAYOUT



Schematic



INDUCTANCE [1-2] = 10.2uH Nom, 9.1 Min. @10kHz/0.1V 14.5Adc
 INDUCTANCE [1-2] = 8.1uH Min @10kHz/0.1V 16Adc
 DCR [1-2] = 4.8 mohms Nom, 5.5 Max
 DIELECTRIC ISOLATION > 500 VDC [1-2] : CORE
 SATURATION CURRENT @25C = 17.0Adc | @85C = 15.0Adc
 HEATING CURRENT FOR 45C RISE AT 25C AMBIENT = 21Adc

No.		DESCRIPTION		REVISIONS	DATE	APPR
THIRD ANGLE PROJECTION						
CHAMPS TECHNOLOGIES						
TOLERANCES +/- 1.0 UNLESS OTHERWISE INDICATED		SIGN	DATE	Champs No. PQI2050-10-LTC		
.XXX ±	DRAWN	DK	8/20/08	Customer	ISSUE	REV
.XX ±	CHKD			Part #:	A	00
.X ANGLE ±	APPR	HE	8/27/13	SIZE	SCALE 2:1	