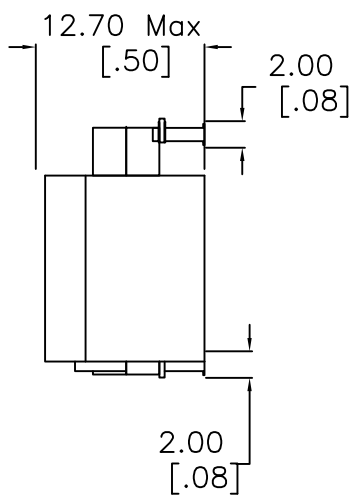
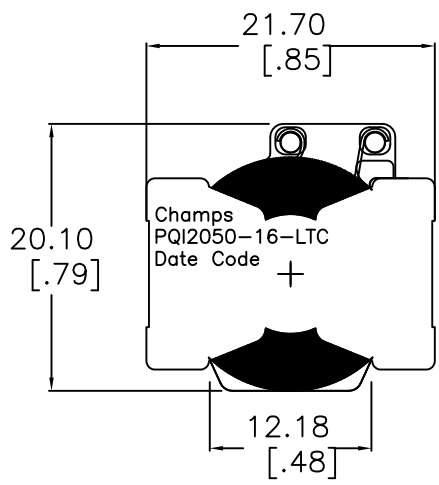
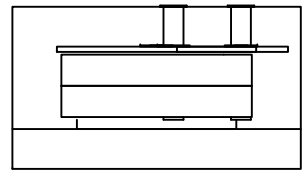
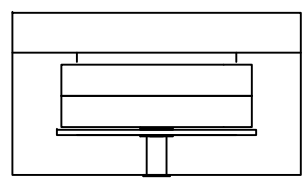
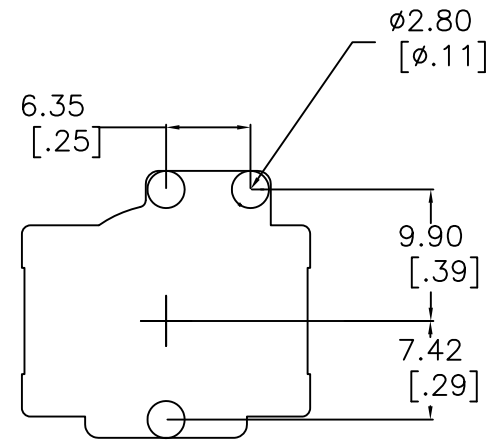


A
B
C
D
E

1 2 3 4

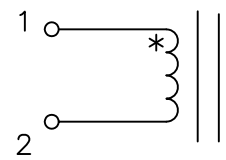


SUGGESTED
PAD
LAYOUT

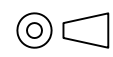


INDUCTANCE [1-2] = 16.0uH Nom, 14.4 Min. @10kHz/0.1V 12 Adc
 INDUCTANCE [1-2] = 13.6 uH Min @10kHz/0.1V 14Adc
 DCR [1-2] = 6.30 mohms Nom, 7.1 Max
 DIELECTRIC ISOLATION > 500 VDC [1-2] : CORE
 SATURATION CURRENT @25C = 14.0Adc | @85C = 13.0Adc
 HEATING CURRENT FOR 40C RISE AT 25C AMBIENT = 19 Adc

Schematic



THIRD ANGLE PROJECTION



±
±
x

DESCRIPTION	REVISIONS
CHAMPS TECHNOLOGIES	
	PQI2050-16-LTC
DK 8/20/08	Part #: INDUCTOR A 00
HE 8/27/13	2:1