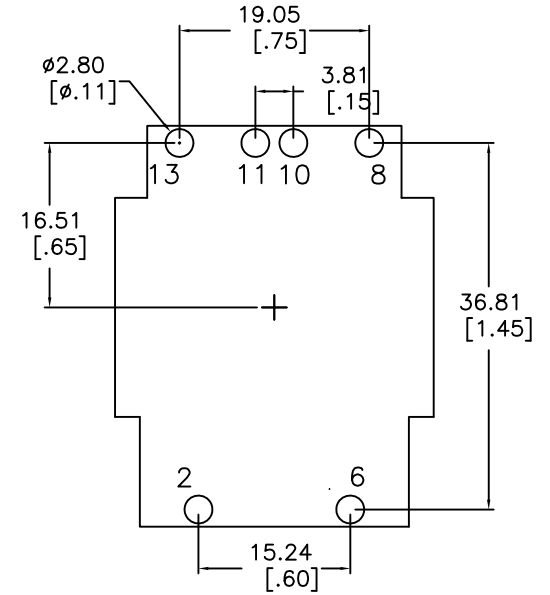
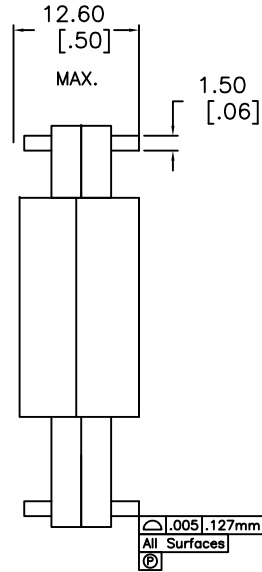
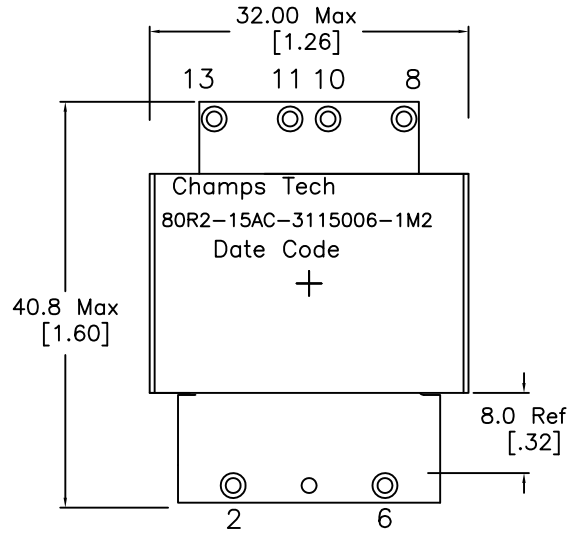
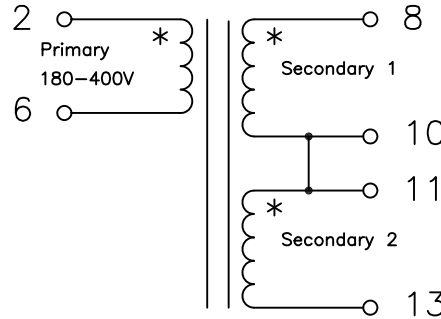


Suggested Pad Layout



SCHEMATIC



ELECTRICAL INFORMATION:

URNS RATIO [8-13]:[2-6]= 0.194 +/-2%

1. DCR [2-6]= 186 mohm Nom, [8-13] = 8.2 mohm Nom,
2. Inductance [2-6] = 1.2 mH Nom, 1.12 Min, 1.28 Max @100KHz, 1.0 VRMS @ 25C
3. Leakage Inductance [2-6]= Short [8-13] = 4.0 uH Nom @100 KHz
4. Dielectric Strength 3 Sec Min: [2,6] to [8,13] to Core 3750 VAC || [8,13] : Core 500 Vdc
5. RoHS Compliant | Pin Composition Tin/Silver Plating
6. Volt-usec Rating = 1010 @100C
7. Operating Ambient Temp Rating: -55C to +130C [Inclusive of Temp Rise]

No.	DESCRIPTION	REVISIONS	DATE	APPR
THIRD ANGLE PROJECTION				
CHAMPS TECHNOLOGIES				
DRAWN		SIGN	DATE	Champs No. 80R2-15AC-3115006-1M2
CHKD		HE	03.11.15	Customer
APPR				Part #: ISSUE A REV 00
TOLERANCES UNLESS OTHERWISE INDICATED			SIZE	SCALE 150%
.XXX ±				
.XX ±				
.X ±				
ANGLE ±				