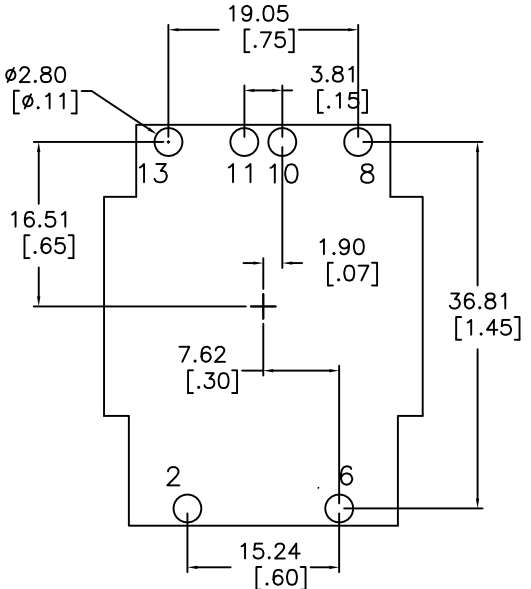
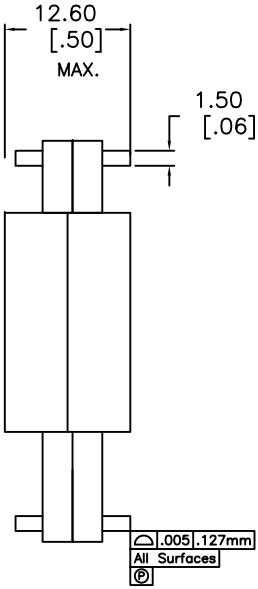
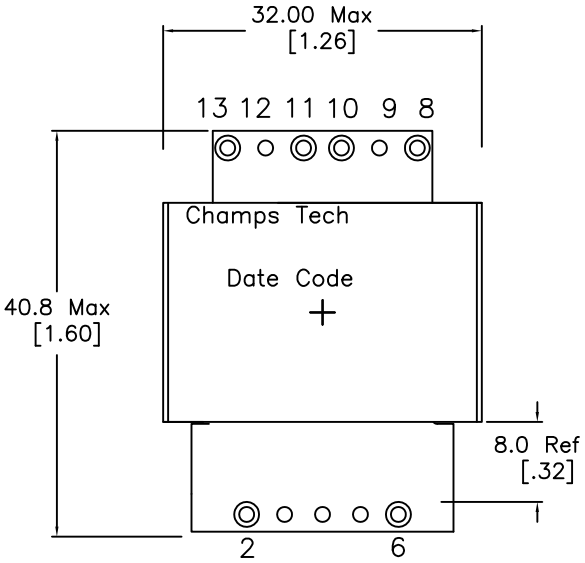
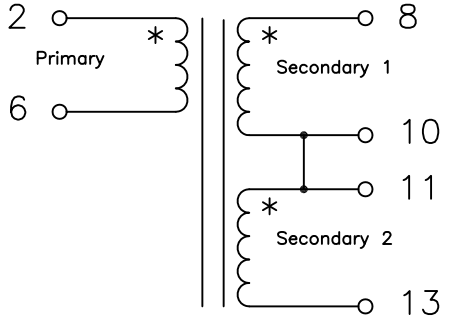


Suggested Pad Layout



SCHEMATIC



ELECTRICAL INFORMATION:

- 1. DCR [2-6]= 186 mohm Nom, [8-13] = 19.7 mohm Nom,
- 2. Inductance [2-6] = 1.2 mH Nom, +/-10% @100KHz, 1.0 VRMS @ 25C
- 3. Leakage Inductance [2-6]= Short [8-13] = 4.5 uH Nom @100 KHz
- 4. Dielectric Strength 3 Sec Min: [2,6] to [8,13] to Core 3750 VAC II [8,13] : Core 500 Vdc
- 5. RoHS Compliant I Pin Composition Tin/Silver Plating
- 6. Volt-usec Rating = 1030 @100C
- 7. Operating Ambient Temp Rating: -55C to +130C [Inclusive of Temp Rise]

|   |             |           |          |                                    |
|---|-------------|-----------|----------|------------------------------------|
| No.   | DESCRIPTION | REVISIONS | DATE     | APPR                               |
| THIRD ANGLE PROJECTION                        |             |           |          |                                    |
| CHAMPS TECHNOLOGIES                           |             |           |          |                                    |
| TOLERANCES +/- 1.0 UNLESS OTHERWISE INDICATED |             | SIGN      | DATE     | Champs No. 80R2-24AC-3124010CT-1M2 |
| .XXX ± 0.180                                  | HE          | 08.19.15  | Customer | ISSUE A                            |
| .XX ± 0.38                                    | CHKD        |           | Part #:  | REV 00                             |
| .X ± 1.5                                      | APPR        |           | SIZE     | SCALE 150%                         |
| ANGLE ±                                       |             |           |          |                                    |