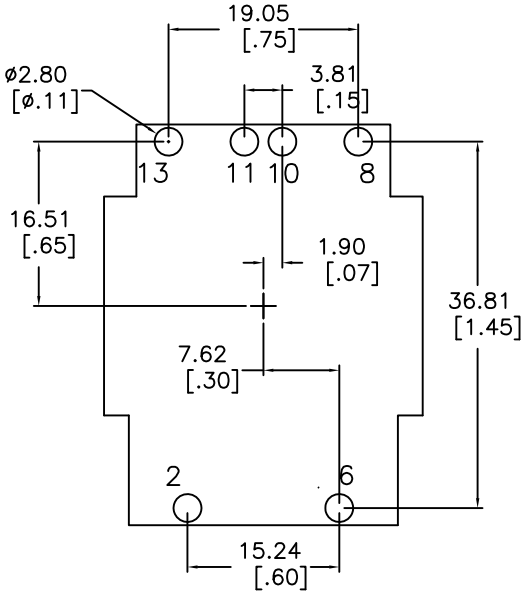
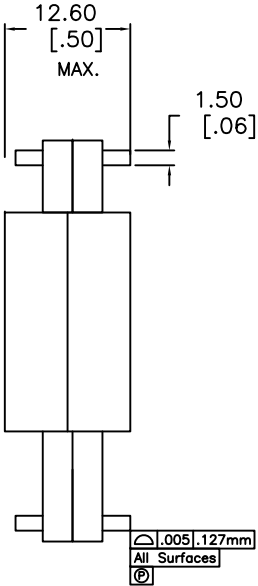
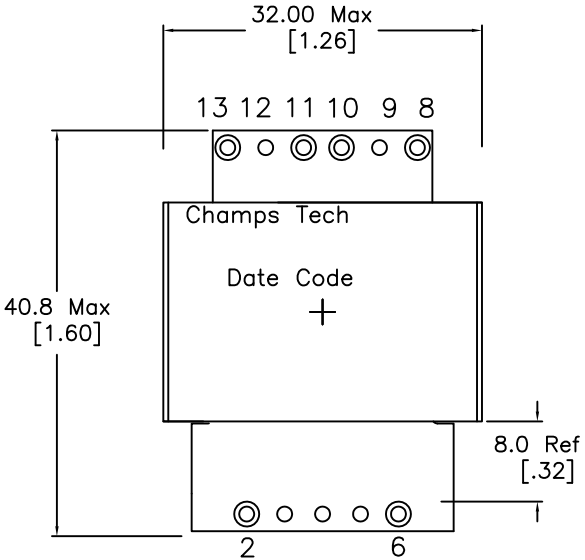
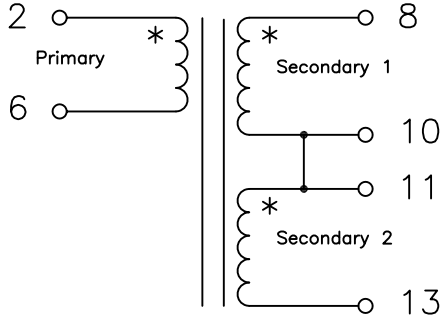


Suggested Pad Layout



SCHEMATIC



ELECTRICAL INFORMATION:

- 1. DCR [2-6]= 190 mohm Nom, [8-13] = 8 mohm Nom,
- 2. Inductance [2-6] = 1.2 mH Nom, +/--10% @100KHz, 1.0 VRMS @ 25C
- 3. Leakage Inductance [2-6]= Short [8-13] = 5.3 uH Nom @100 KHz
- 4. Dielectric Strength 3 Sec Min: [2,6] to [8,13] to Core 3750 VAC II [8,13] : Core 500 Vdc
- 5. RoHS Compliant I Pin Composition Tin/Silver Plating
- 6. Volt-usec Rating = 1030 @100C
- 7. Operating Ambient Temp Rating: -55C to +130C [Inclusive of Temp Rise]

No.	DESCRIPTION	REVISIONS	DATE	APPR
THIRD ANGLE PROJECTION				
CHAMPS TECHNOLOGIES				
DRAWN		SIGN	DATE	Champs No. 80R2-24AC-3206CT-1M2
CHKD		HE	08.19.15	Customer
APPR				Part #:
				ISSUE A
				REV 00
				SIZE
				SCALE 150%