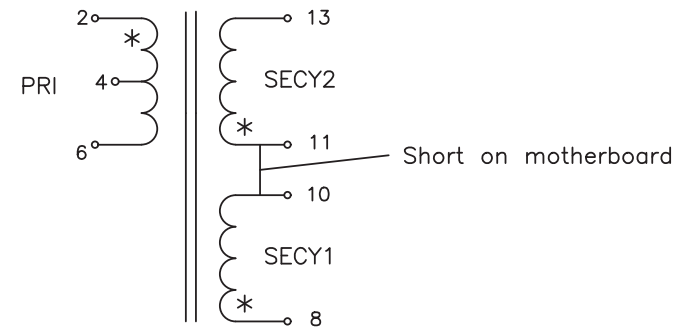
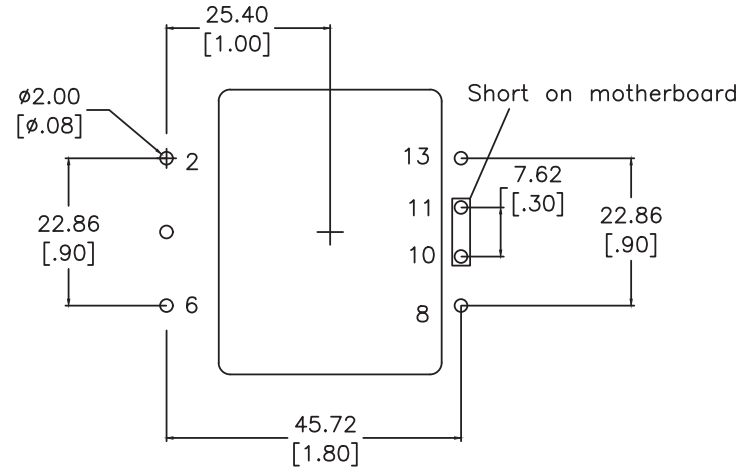


SUGGESTED THRU-HOLE LAYOUT



Electrical Ratings:

- URNS RATIO [8-10] & [11-13] : [2-6]= 0.056 ±2%
- INDUCTANCE [2-6] = 2.6 mH Nom @100KHz/1.0V
- LEAKAGE INDUCTANCE [2-6] : SHORT 8-13= 1.7 uH Nom, @ 100 KHZ
- DCR [2-6]= 54 mohm Nom, [8-10]=[11-13]= 0.3 mohm Nom,
- CAPACITANCE [2,6] : [8,10] = 140 pF Nom.
- DIELECTRIC ISOLATION > 1500 VDC [2,6] : [8,13] : CORE || > 500 Vdc [8,13] : Core
- RoHS Level 6/6 Compliant || Temp Rating (Operating) -55C to +130C [Incl. Temp Rise]

No.	DESCRIPTION	REVISIONS	DATE	APPR	
THIRD ANGLE PROJECTION					
CHAMPS TECHNOLOGIES					
DRAWN		SIGN	DATE	Champs-Tech PN NR41-180101-TP-TH	
CHKD		HE	01.15.24	Customer	ISSUE
APPR				Part #:	REV
				SIZE A4	SCALE 2:1
				A	00