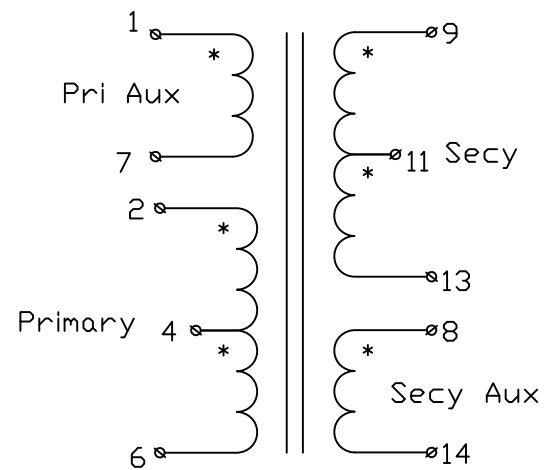


Electrical Information:

1. TURNS RATIO [9-13] : [2-6] = 0.154 +/-2% || [1-7] = [8-14] : [2-6] = 'TBD'
2. INDUCTANCE [2-6] = 250 uH Nom @100kHz/1.0V
3. LEAKAGE INDUCTANCE [2-6] : SHORT 9,11 = 1.0 uH Max @100kHz
4. DCR [2-6] =33 mohms Nom, DCR [9-13] = 0.69 mohms Nom, DCR [1-7] = [8-14] = 300 mohm max
5. CAPACITANCE 2,6 to 9,13 = 180 pF Max @100kHz
6. DIELECTRIC ISOLATION: [2,6],[1,7] : [9,13] > 2500 Vrms  
DIELECTRIC ISOLATION: [9,13] : CORE > 500 Vdc
7. RoHS Level 6/6 Compliant | Pins 96/4 Sn/Ag Plating
8. Operating Temp Range: -55C To +130C [Inclusive of Temp Rise]



					CHAMPS TECHNOLOGIES	TOLERANCES UNLESS OTHERWISE INDICATED .xxx ± .25 .xx ± .51 ANGLE ± 1.0	DRAWN	JL	7/9/15	TITLE: 80R6-1302-250R		ISSUE	REV
							CHKD	PH			SIZE	SCALE 2:1	A
No.	DESCRIPTION	REVISIONS	DATE	APPR			APPR	DT					