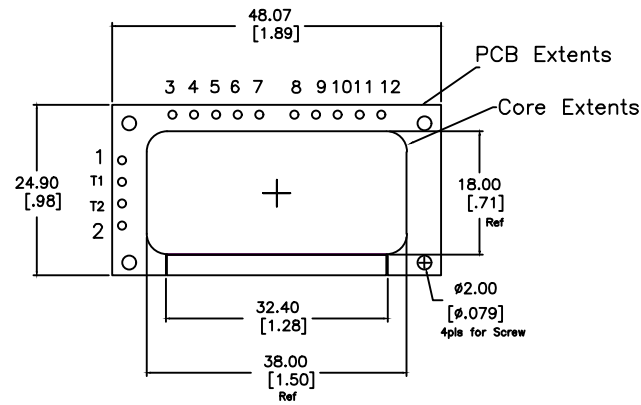
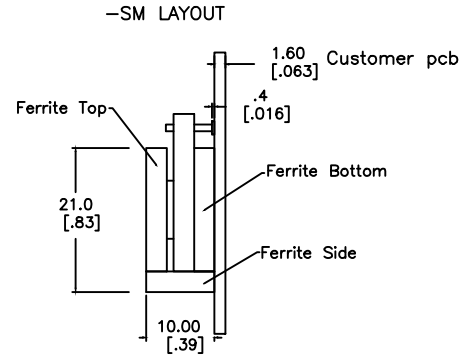


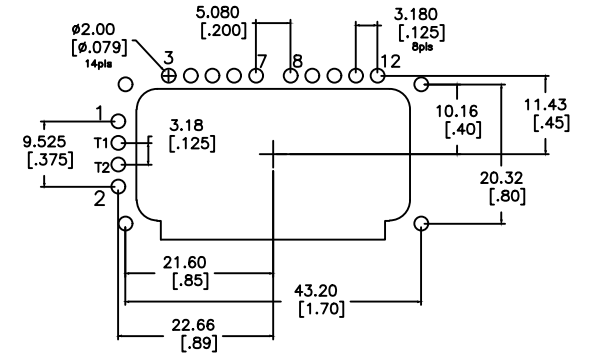
[TOP VIEW]



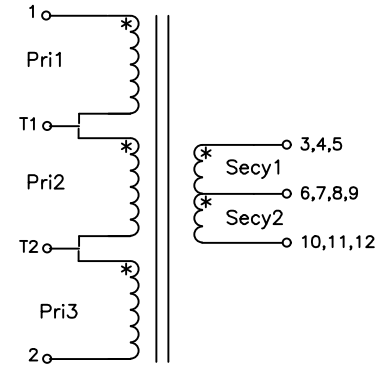
[PROFILE VIEW]



SUGGESTED PAD LAYOUT [TOP VIEW]



UY38-1216



Electrical Information:

1. TURNS RATIO [1-2]:[3,4,5-6,7,8,9] & [1-2]:[6,7,8,9-10,11,12]=1.5:1 ±2%
2. INDUCTANCE [1-2] = 186 uH Nom. ±25% @100kHz/1.0V
3. LEAKAGE INDUCTANCE [1-2] : SHORT 3 thru 12 = 200 nH Nom @100kHz
4. DCR [1-2]=18 mohms Nom; [3,4,5-6,7,8,9]=[6,7,8,9-10,11,12]=25 mohms Nom
5. CAPACITANCE 1,2 to 3,12 = 380 pF Nom @100kHz
6. DIELECTRIC ISOLATION: [1,2] : [3,7][8,12] : CORE > 2500 VDC  
DIELECTRIC ISOLATION: [3,7][8,12] : CORE > 500 VDC
7. RoHS & Reach Compliant
8. Temp Range: -55C To +130C [Inclusive of Temp Rise]

No.		DESCRIPTION		REVISIONS	DATE	APPR
THIRD ANGLE PROJECTION						
CHAMPS TECHNOLOGIES						
TOLERANCES/UNITS in MM UNLESS OTHERWISE INDICATED		SIGN	DATE	Champs-Tech PN UY38-1216-250D		
.XXX ± 0.254	DRAWN	E.L.	4/2/26	Customer	ISSUE	REV
.XX ± 0.58	CHKD	J.L.		Part #:	A	00
.X ANGLE ± 1.5	APPR	H.E.	115.3.25-01	SIZE	SCALE 1:1	